

Sendai Nuclear Power Station Unit 1: Plant status (Weekly notification)

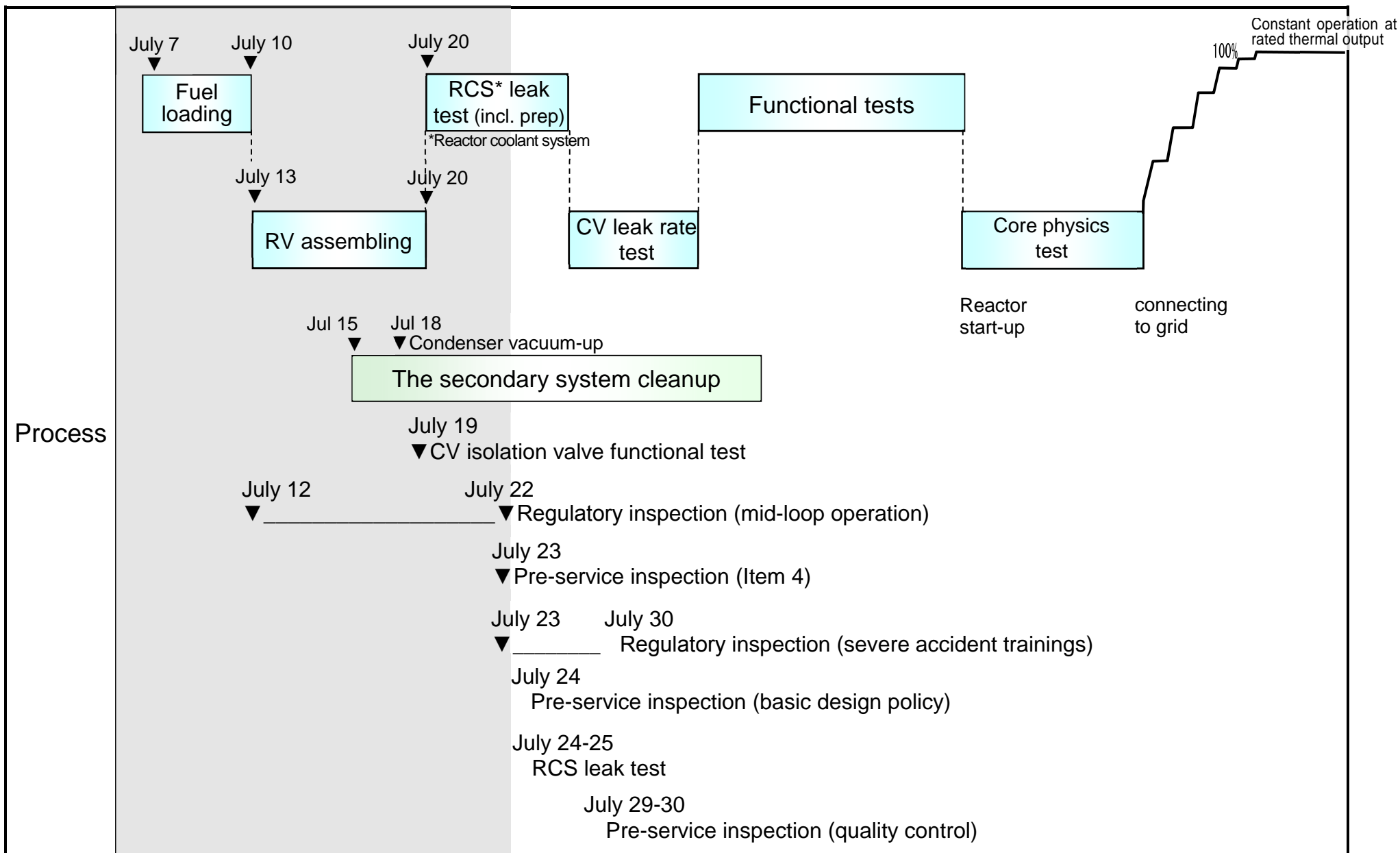
	Operations
This week results (Fri, July 17 – Thu, July 23)	<p>[Main process]</p> <ul style="list-style-type: none"> ➤ The primary system (reactor system) <ul style="list-style-type: none"> • July 20 RV assembling completed • July 20 Preparation of RCS leak test started ➤ The secondary system (turbine system) <ul style="list-style-type: none"> • Cleanup ongoing • July 18 Condenser vacuum up <p>[Tests and inspections]</p> <ul style="list-style-type: none"> ➤ Pre-service inspection <ul style="list-style-type: none"> • July 23 Item 4 inspection (Instrumentation control system) ➤ Operator's self-inspection (periodical equipment inspection items) <ul style="list-style-type: none"> • July 19 Containment vessel isolation valve functional test ➤ Regulatory inspection <ul style="list-style-type: none"> • July 22 Inspection on the mid-loop operation completed (started from July 12) • July 23 Regulatory inspection of training of workers to act in case of severe accidents and large-scale destructions started
Next week plans (Fri, July 24 – Thu, July 30)	<p>[Main process]</p> <ul style="list-style-type: none"> ➤ The primary system (reactor system) <ul style="list-style-type: none"> • RCS leak test will be conducted • Preparation for CV leak rate test will start ➤ The secondary system (turbine system) <ul style="list-style-type: none"> • Cleanup continues <p>[Tests and inspections]</p> <ul style="list-style-type: none"> ➤ Pre-service inspection <ul style="list-style-type: none"> • July 24 Inspection on basic design policy (for the instrumentation control facility and reactor containment facility) • July 29-30 Inspection on quality control (methods and other items) ➤ Operator's self-inspection (periodical equipment inspection items) <ul style="list-style-type: none"> • July 24-25 RCS leak test ➤ Regulatory inspection <ul style="list-style-type: none"> • July 30 Inspection of training of workers to act in case of severe accidents and large-scale destructions to be completed (started on July 23)

(Translated by JANSI)

This is translation of articles in the press release by Kyushu Electric Power Company.

For the original text, please go to: http://www.kyuden.co.jp/library/pdf/torikumi_nuclear/news150724.pdf

Sendai 1: Restart operation process



(Translated by JANSI)

This is translation of articles in the press release by Kyushu Electric Power Company.
 For the original text, please go to: http://www.kyuden.co.jp/library/pdf/torikumi_nuclear/news150724.pdf